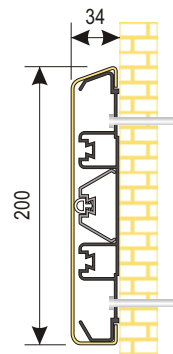


Technical sheet: **P** CRASH RAILS



UV Rays stability



Thanks to their special formula, the materials we use are absolutely stable against UV rays artificial lights thus ensuring unalterable colours over a long time.

Flame-retardant



Certified laboratory tests testing the reaction to fire, have rated the plastic materials we use as class 1 flame-retardant material.

Recyclable and eco-friendly



A special attention is also paid to the environment, because "Styla" products are made of fully recyclable materials.

Antishock



The materials we use are particularly resistant to impacts, scratches or abrasions, which, in any case, are made almost invisible thanks to the first coloured process used for the materials and to the slightly embossed surface.

Easy to clean



The acrovynic materials we use are non-toxic and non-porous, thus never becoming a breeding-ground for germs. Anyway, they can be easily cleaned by using any non-abrasive detergent.

Chemical agents resistant



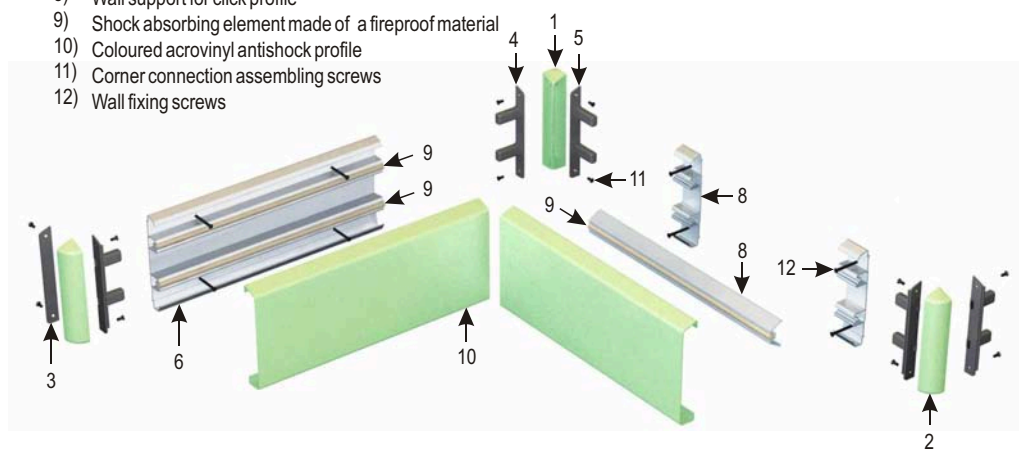
The tests carried out reveal that the chemical resistance of the materials we use is particularly high against the most common chemical agents.

Warranty



Thanks to the quality of the materials in use, "Styla" is able to offer a five-year guarantee on all its products for manufacturing or installation defects (see the warranty certificate).

- 1) Curvilinear connection for internal corners
- 2) Curvilinear connection for external corners
- 3) End cap
- 4) Right coupling
- 5) Left coupling
- 6) Extruded aluminium profile
- 7) Extruded aluminium click profile
- 8) Wall support for click profile
- 9) Shock absorbing element made of a fireproof material
- 10) Coloured acrovynil antishock profile
- 11) Corner connection assembling screws
- 12) Wall fixing screws



Description

Wall protection with impact elastic absorption.

Installation

Wall fixing by plugs.

Material

Anti-collision profile in coloured first acrovynil material and assembled on a high rigidity extruded aluminium structural core, combined with curvilinear connections and couplings in moulded acrovynil available in coordinated colours. Each polymeric component has a lightly embossed surface finishing.

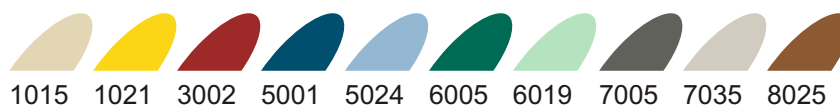
Size

Aluminium thickness 1,5 mm
Acrovynil profile thickness 2+2,5 mm

Calculation parameter

At linear meter

Standard colours (RAL)



STYLA
wall protections

via Enrico Fermi, 52/o
24035 Curno (Bergamo) - Italia
tel. +39 035 46.12.00
fax +39 035 46.20.99
www.styla.it styla@seberg.it