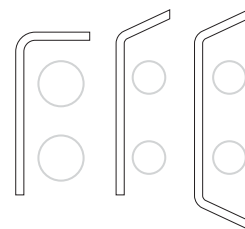


Riva and Versa pipe casing

Commercial pipe boxing and pre-formed encasement systems



Introduction

Our products are in widespread use throughout Europe and have been installed in countless applications across the UK in private and public sector projects - from high volume social housing refurbishment, meeting the 'decent homes standard', to new house-building contracts, including affordable housing initiatives through to prestige apartments. They are also used extensively in public buildings, hotels and other major projects.

For more than 20 years our products have been manufactured in Italy by specialists in the forming and finishing of plywood for building, construction and commercial applications. As a result our customers can have confidence in the high production standards and product quality we maintain throughout our range.

The quality of our products is matched by that of our dedicated team. With more than 15 years direct experience in the sales and support of pre-formed casing systems within the UK, our knowledge and expertise enables us to provide the best and most cost effective encasement solutions.

High quality products, competitive pricing and next day delivery on all standard items are all part of our value for money assurance to customers, which is backed by our extensive experience and commitment to service.



n-case: the pre-formed pipe casing solution

Concealing pipe work is not a new idea, but some solutions are considerably more attractive and cost effective than others.

The on site fabrication of pipe boxing is time-consuming and can be costly due to a number of factors including escalating labour costs, a shortage of skilled labour and increasing hourly rates. In reality, the true cost of site made pipe boxing is often difficult to quantify, but the chances are it's considerably more expensive than you think.

Our n-case system of one-piece pre-formed pipe boxing and casings makes things a whole lot easier, quicker, more cost effective and attractive. All that's needed is to select either the 'Riva' or 'Versa' style profile, cut it to length and install using either one or two timber fixing battens. Also, as n-case profiles are pre-finished with hard wearing melamine, there's no need to paint, which saves even more time.

A range of accessories, is available within the n-case system to keep things simple and quick as well as ensuring that a great finish can be achieved in every casing installation.

Don't just box it n-case it.



Riva and Versa combined to give an integrated pipe casing solution



Versa provides the ideal solution for bathroom pipe casing needs



Riva and Versa accessories for quick and easy fitting and a professional finish

Simple, quick and cost effective



- Significantly quicker to fit than site fabricated boxing
- Provides a consistent finish on all projects
- Pre-finished with melamine - no painting required
- Easy to remove for routine maintenance
- Suitable for horizontal and vertical applications
- Radiused corners for improved aesthetics
- Range of dedicated accessories available

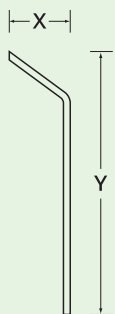


Product selection and specification guide

The n-case Riva system of pre-formed pipe casings provides a simple, quick and cost effective method of concealing horizontal and vertical pipe-work, such as central heating systems. Also, the pre-finished hard wearing bonded melamine surface makes Riva resistant to scuffs and scratches as well as being easy to clean.

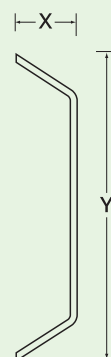
Available in a range of sizes and casing styles, Riva and Riva 'D', the system also incorporates a range of dedicated accessories, which provides an integrated solution to pipe casing and boxing projects, enabling a consistent, high quality finish to be achieved quickly.

Riva - Standard dimensions (mm)		
X	Y	Approx. internal working space
45	110	40 x 80
45	150	40 x 120
45	190	40 x 160



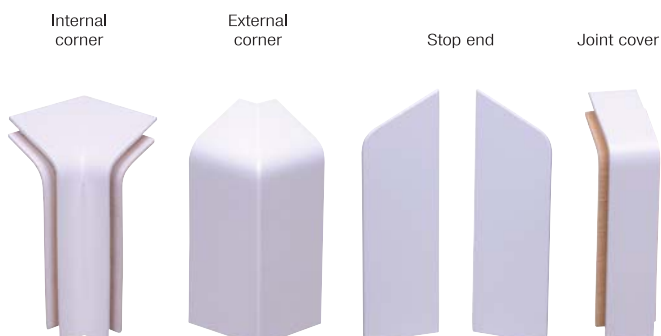
Internal angle: 115°
 Material thickness: 5 mm
 Standard length: 2500 mm
 Finish: White Melamine
 Fixings: Screws and decorative white caps

Riva 'D' - Standard dimensions (mm)		
X	Y	Approx, internal working space
45	135	40 x 80
45	220	40 x 165
45	300	40 x 245
75	200	70 x 95
75	370	70 x 265



Internal angle: 115°
 Material thickness: 5 mm
 Standard length: 2500 mm
 Finish: White Melamine
 Fixings: Screws and decorative white caps

Riva Accessories



- Easy to fit
- Reduced installation time
- High quality finish
- Dedicated range

Versatile, easy to fit and cost effective



- Significantly quicker to fit than site fabricated boxing
- Suitable for use with a range of pipe sizes including mains water, heating, waste and drainage
- Provides a consistent finish on all projects
- Pre-finished with melamine - no painting required
- Easy to remove for routine maintenance
- Designed for horizontal and vertical applications
- Radiused corners for improved aesthetics
- Range of dedicated accessories available



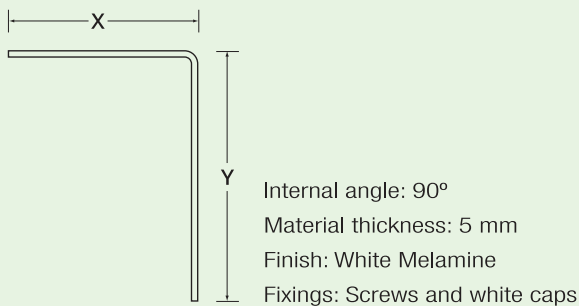
Product selection and specification guide

n-case Versa provides a truly adaptable solution for concealing pipe-work in kitchens, bathrooms and a diverse range of other applications.

Suitable for horizontal and vertical installations, Versa one piece pre-formed casings are ready-finished with a hard wearing bonded melamine surface, which is durable and easy to clean. Available in a range of sizes, two material thicknesses, Versa 5 and Versa 8, together with a choice of standard lengths, n-case Versa also incorporates a range of dedicated accessories.

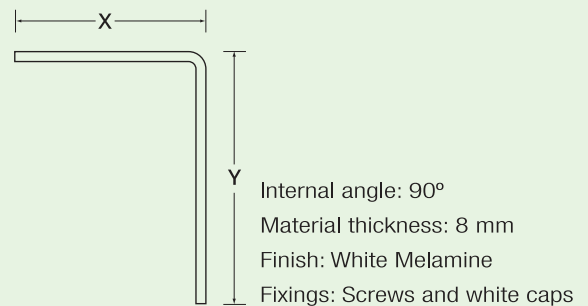
Versa 5 - Standard dimensions (mm)

X	Y	Approx. internal working space	Standard length options
75	150	70 x 145	2500
75	200	70 x 195	2500
75	300	70 x 295	2500
100	100	95 x 95	2500
100	200	95 x 195	2500
100	300	95 x 295	2500
150	150	145 x 145	2500 and 3000
150	200	145 x 195	2500 and 3000
150	300	145 x 295	2500 and 3000
200	200	195 x 195	2500 and 3000
200	300	195 x 295	2500 and 3000
300	300	295 x 295	2500 and 3000

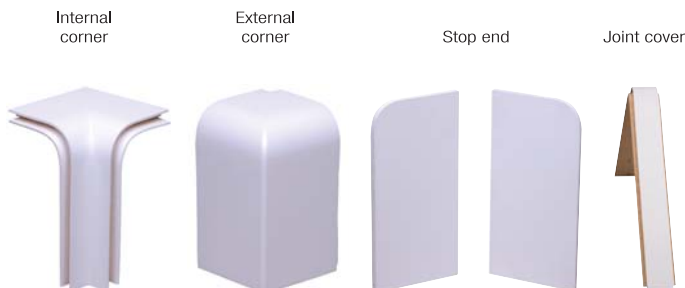


Versa 8 - Standard dimensions (mm)

X	Y	Approx. internal working space	Standard length options
150	150	142 x 142	2500 and 3000
150	200	142 x 192	2500 and 3000
150	300	142 x 292	2500 and 3000
200	200	192 x 192	2500 and 3000
200	300	192 x 292	2500 and 3000
300	300	292 x 292	2500 and 3000
300	500	292 x 492	3000



Versa Accessories



- Easy to fit
- Reduced installation time
- High quality finish
- Dedicated range



Encasement Ltd, Peartree Business Centre

Enterprise Way, Bretton, Peterborough

Cambridgeshire PE3 8YQ

t: +44(0)1733 266 889

f: +44(0)1733 268 999

www.encasement.co.uk